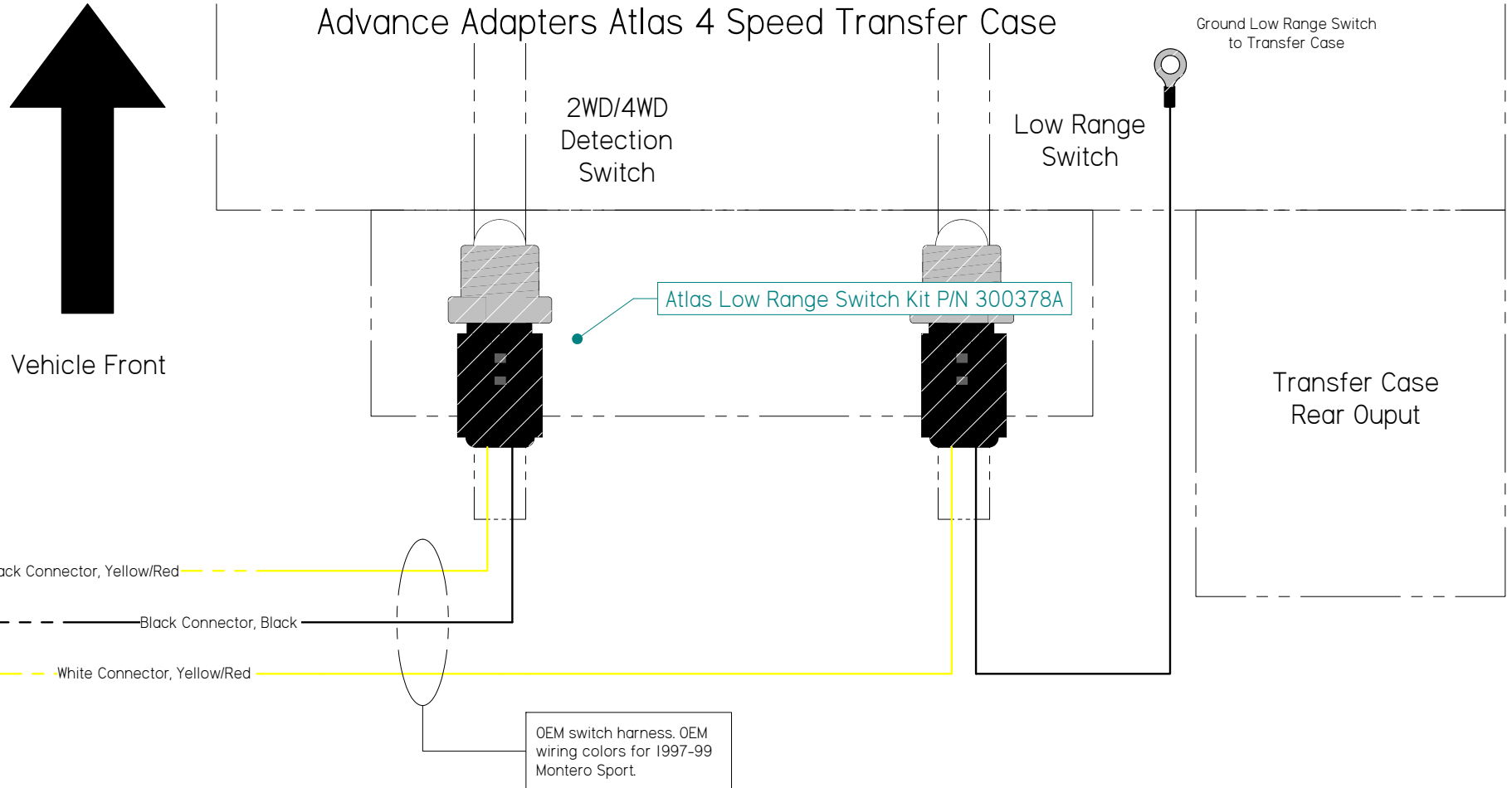


REVISION HISTORY			
REV	DESCRIPTION	DATE	APPROVED

Advance Adapters Atlas 4 Speed Transfer Case



Remove OEM Mitsubishi connectors and attach two (2) Advance Adapters' Atlas Low Range Switch Kits (P/N 300378A) to the OEM Mitsubishi "2WD/4WD Detection Switch" and "Low Range Switch" wiring harnesses. Make sure OEM transfer case ground strap is not missing or removed; if so, replace with equivalent ground strap.

	NAME	DATE	Solid Edge	
DRAWN		03/14/18		
CHECKED			TITLE	
ENG APPR			SGL-5e Wiring Diagram	
MGR APPR				
UNLESS OTHERWISE SPECIFIED DIMENSIONS ARE IN INCHES ANGLES °X'X"			SIZE DWG NO	REV
2 PL. *XXX 3 PL. *XXXX			D 2	2
			FILE NAME: Advanced Adapters Electronic Speedometer Housing to	
			SCALE	WEIGHT
				SHEET 2 OF 3